

Pelvilock

INSTRUCTIONS FOR USE



Please read through the following instructions completely before using the product.

Intended use: Support for pelvic area

Read before using the product:

- This product is for pelvic support; however, it will not prevent all pelvic injuries.
- This product is not for medical treatment.
- Make sure that you use the correct size. (Refer to the sizing chart on the package and size tag inside the product.)

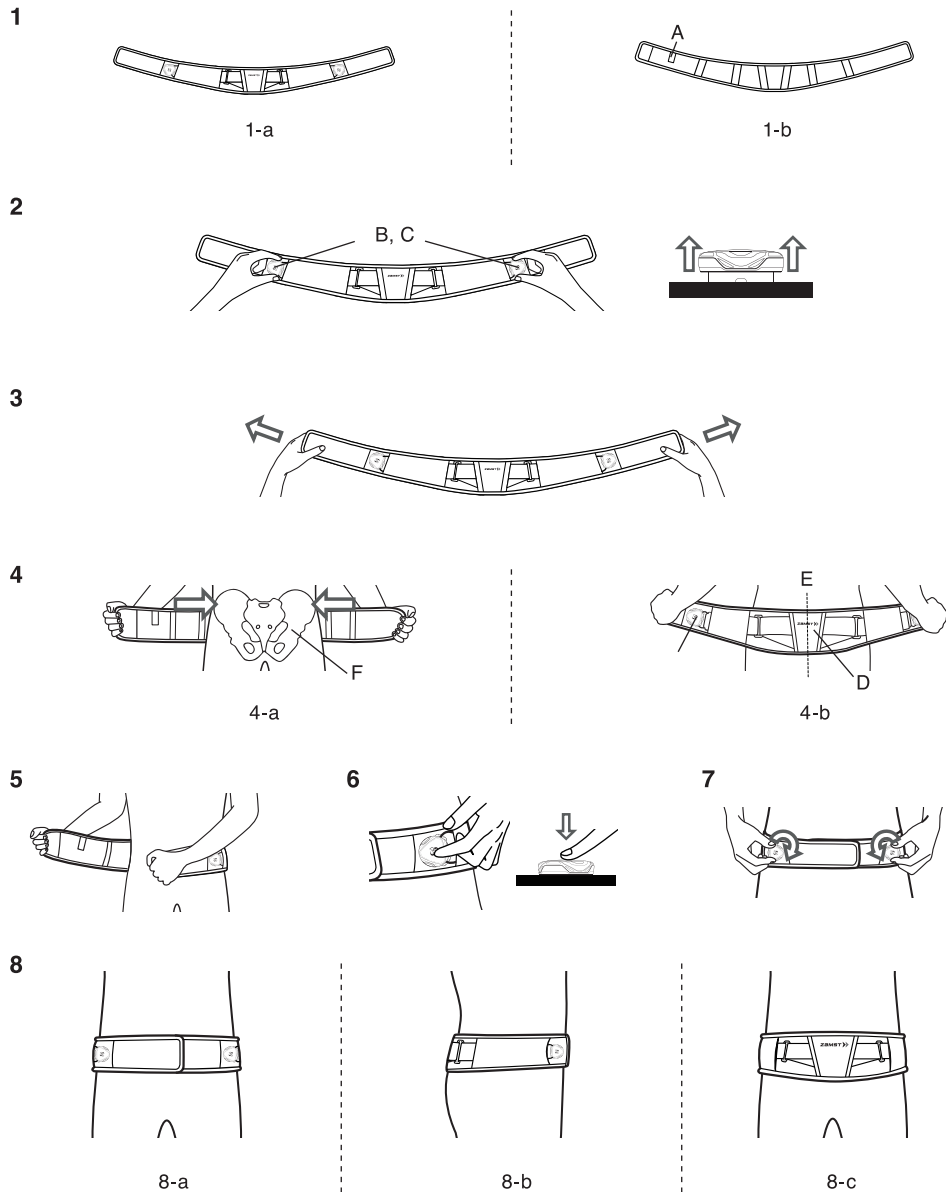
In use of the product:

- Make sure that the hook-and-loop fasteners do not touch the mesh material used on the back part of the product. The hook-and-loop fasteners may damage these materials.
- The product may become discolored due to the storage conditions.
- Do not put excess weight on the hook-and-loop fastener and the raised fabric when storing the product. The hook-and-loop fastener may not work effectively.

Safety warnings and precautions:

- Do not use this product in the following cases to prevent from causing disorder and worsening symptoms.
- If your skin is sensitive or you have allergies.
 - If you have abnormal conditions such as fractures, cuts, numbness, swelling, rash or skin irritation in the area where product is used.
- Be sure to follow the following precautions. Otherwise, it may cause circulatory deficit and/or injury accidents.
- Do not use the product other than pelvis.
 - Make sure that you use the correct size. (Refer to the sizing chart on the package and size tag inside the product.)
 - Consult your physician if you are, or think you might be pregnant.
 - Do not use the product while sleeping.
 - Remove and re-apply the product at regular intervals. If the body part is compressed for extended periods, blood circulation may be adversely affected or you may experience skin problem.
 - Make sure to use the correct position; up or down, surface or flip, front or back.
 - Apply the product correctly to take the following steps described in the "How to apply" instructions.
 - Do not pull the product and sub straps too tight.
 - Re-apply the product starting with the first step described in the "How to apply" instructions if the product shifts out of place or becomes too loose.
 - Do not use the product if the product is broken or worn or if the hook-and-loop fastener does not work.
 - Do not rework, modify or repair the product.
- The reels and loops are made of plastic. Do not use this product in the following cases to prevent from causing injury accidents.
- In case that the product may hurt other people by contact.
 - In case that the product may fall and/or touch something hard.
- Discontinue use immediately and consult your physician in the following cases. Otherwise, it may result in worsening of symptoms.
- If you experience discomfort while using the product.
 - If you experience injury, fracture, cuts, pain, numbness, swelling, rash, or skin irritation where product is used.
- Hook-and-loop fasteners use hard material. Be careful using as it may rarely damage fingers and skins.
 - Apply the product over a shirt or clothes. Do not apply the product directly to the skin.
 - The product may become discolored by perspiration or other liquids. The product's dye may bleed onto clothing worn under or near the product.
 - Make sure that the hook-and-loop fasteners do not touch clothing and other fabric when applied. It causes fray and runs.
 - Be careful not to fall and touch something hard as the reels may be broken.

How to apply



How to apply:

1. Release all the hook-and-loop fasteners, and check the sides; up, down, surface, flip, front and back. The size tag (A) will face up and will be located on the side of the body. (Illustration 1-a: Surface Illustration 1-b: Flip)
2. Release the lock of the reels on the right and left (B and C) by pulling them out vertically until a click sound is heard. (Illustration 2)
3. Hold on the both ends of the product and pull to loosen the sub straps. (Illustration 3)
4. Position the product over the pelvic area. Apply the product so that the center of the product logo (D) in the middle of the product surface is aligned with the spine (E). (Illustration 4-a: Front Illustration 4-b: Back) Wear the product at a lower level than the bony tops of the ilium (hip bone) (F) as indicated in the illustration.
5. Cover the pelvic area with the product, and fasten hook-and-loop fasteners in front of the body. Make sure to fasten the hook by pulling both ends of the product. (Illustration 5)
6. Push the reels on the left and right to lock them. There will be a click sound. (Illustration 6)
7. Fasten the sub straps by turning the both left and right reels. Turn the reels to the direction of the arrow. If it becomes too tight, release the locks of the reels again to loosen the sub straps, and restart from step 6. Fasten the sub straps. (Illustration 7)
8. Make sure there is no wrinkle or out of place. If there is an uncomfortableness, re-apply the product starting with the first step described in the "How to apply" instructions. Product properly fastened. (Illustration 8-a. Front view 8-b. Side view 8-c. Back view)

Handling cautions:

-Do not wash with whites or light colors. The product's dye may fade and/or bleed.

How to wash:

- Hand wash by gently pushing it up and down in the water. Dry the product with a towel and drip line drying in shade.
- Make sure to close the hook-and-loop fasteners prior to washing. Otherwise, the hook-and-loop fastener may not work effectively.
- Do not iron and bleach. It damages the product.
- Do not tumble dry. It damages the product.
- Do not dry clean and wet clean.

Composition:

Fiber: Polyester, Nylon and Elastane

Non-Fiber: Chloroprene, Polycarbonate, Polyacetal, Nylon, TPC, Glass-filled nylon, Glass-filled polyacetal and Stainless steel